

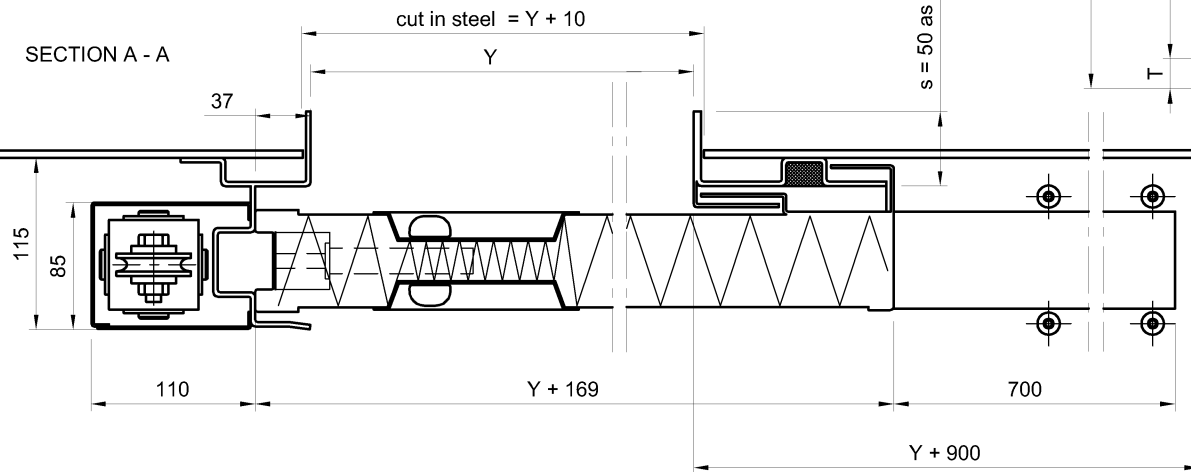
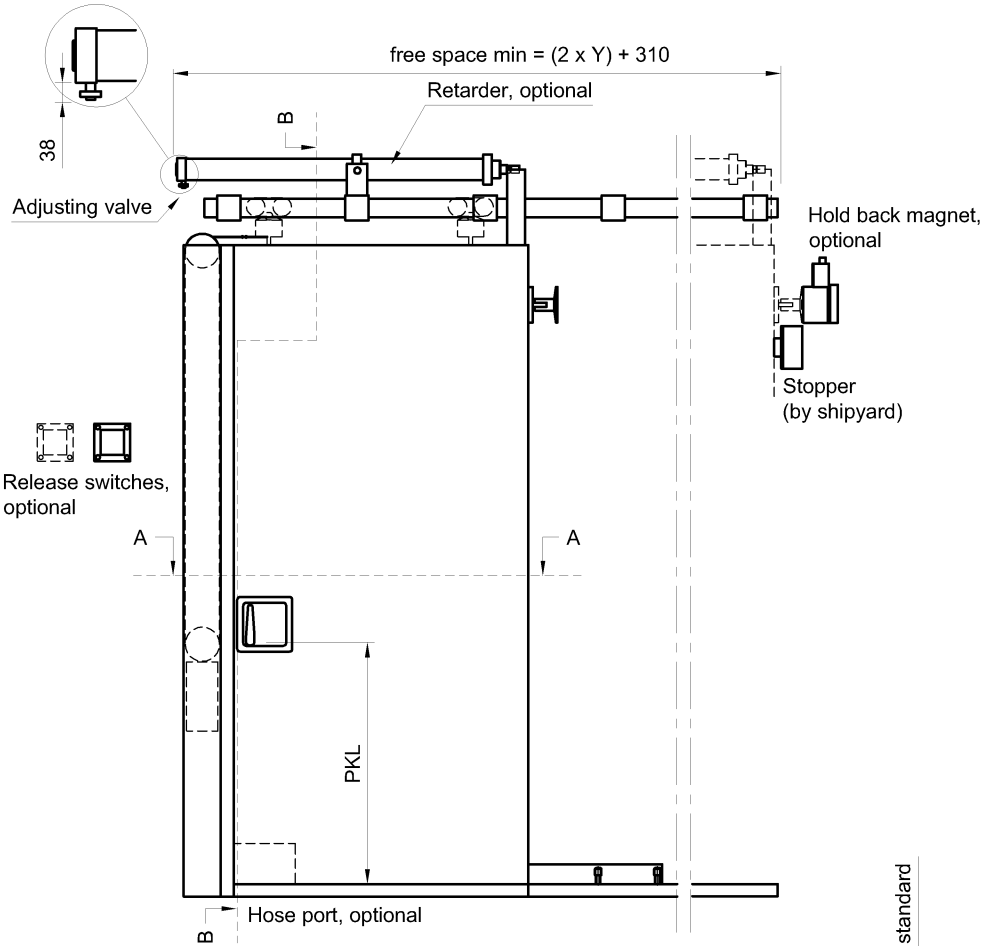


THE WAY YOU WANT

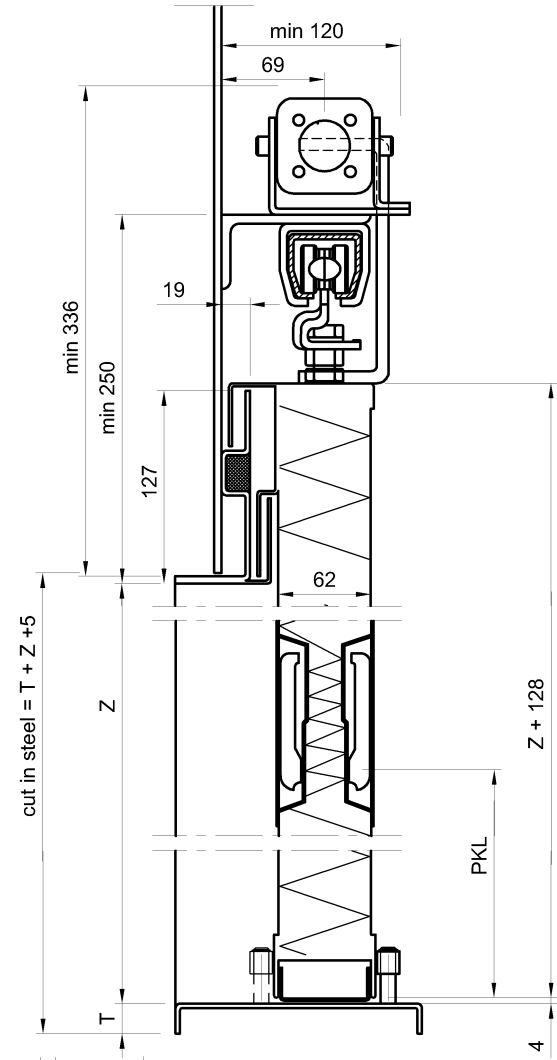


MARINE
FIRE DOORS

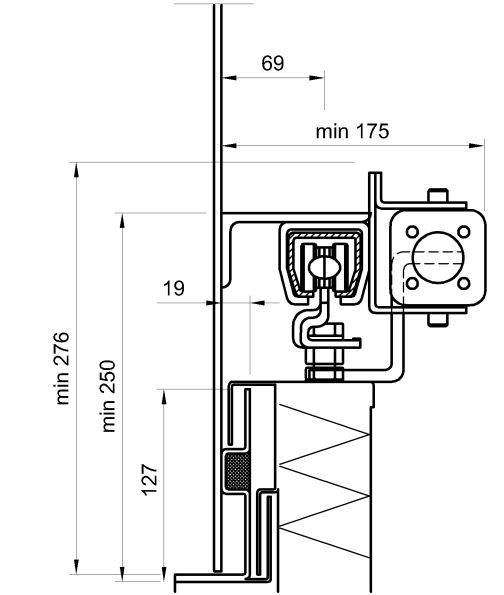
www.saajos.fi



SECTION B - B

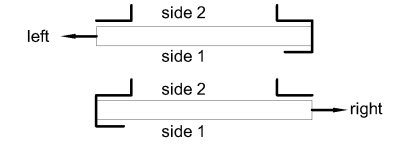


Alternative location for retarder




WHEN ORDERING PLEASE STATE:

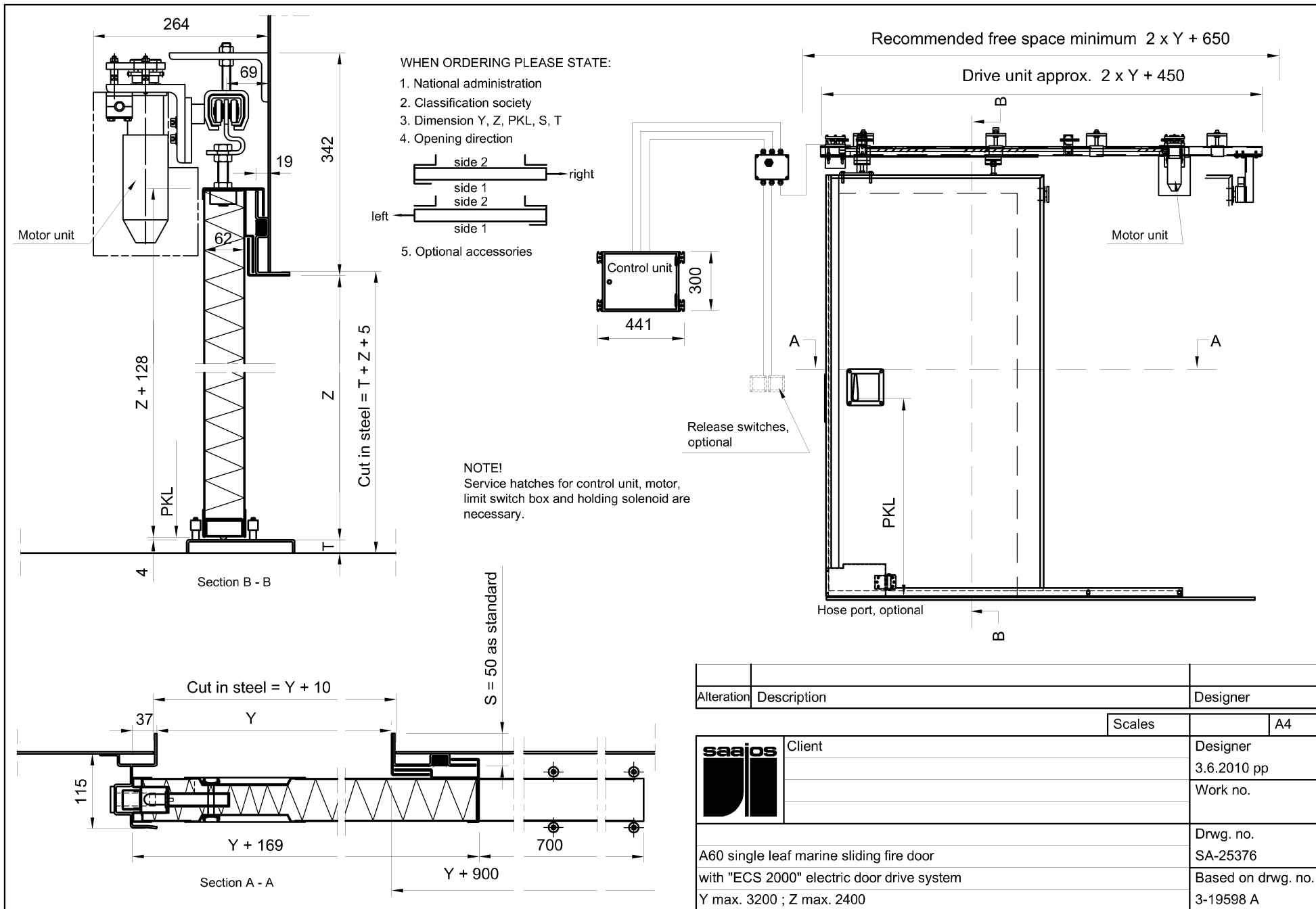
1. National administration
2. Classification society
3. Dimension Y, Z, PKL, S, T
4. Opening direction



5. Location of retarder
6. Optional accessories

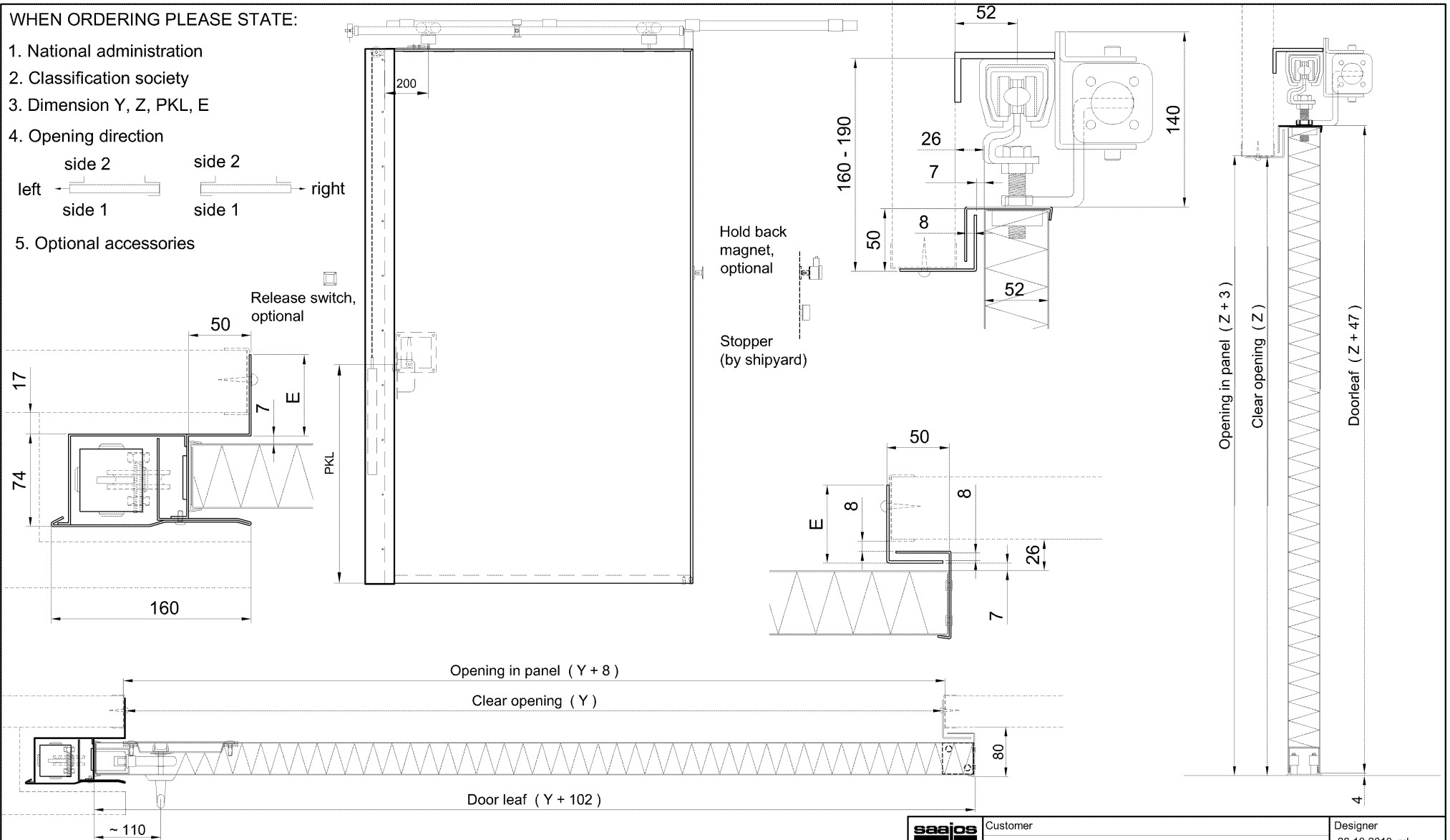
NOTE!
Service hatches for adjusting valve, hold back magnet, retarder and counter weight as well as a stopper are necessary.


	Customer	Designer
		21.1.2002 SH
		Work no
		Drwg no
A60 SINGLE LEAF MARINE SLIDING FIRE DOOR		SA-20406
WITH COUNTER WEIGHT SYSTEM		Based on drwg
		3-19598 A



WHEN ORDERING PLEASE STATE:

1. National administration
2. Classification society
3. Dimension Y, Z, PKL, E
4. Opening direction
 - side 2 ←
 - side 1 →
5. Optional accessories

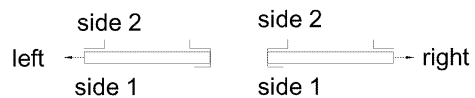


	Customer	Designer 28.10.2010 ml
		Work no.
B 15 / B 30 SINGLE LEAF MARINE SLIDING FIRE DOOR WITH COUNTER WEIGHT SYSTEM		Drwg. no. SA-22264 B
Max. clear opening size 1308 x 2396 (Y x Z)		Based on drwg. no. SA-20971 D

WHEN ORDERING PLEASE STATE:

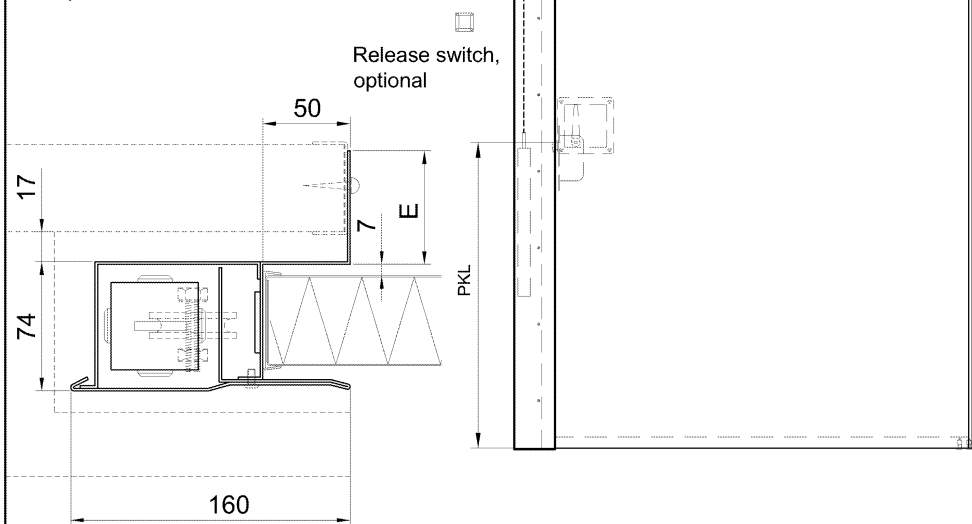
1. National administration
2. Classification society
3. Dimension Y, Z, PKL, E

4. Opening direction



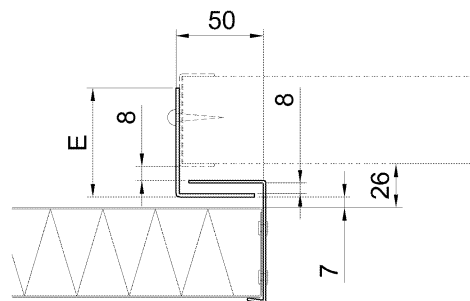
5. Optional accessories

Release switch, optional



Hold back magnet, optional

Stopper (by shipyard)



250-280

160-190

52

26

7

50

8

52

Opening in panel (Y + 8)

Clear opening (Y)

Door leaf (Y + 102)

Opening in panel (Z + 3)

Clear opening (Z)

Doorleaf (Z + 47)

4

~ 110



Customer

Designer
28.10.2010 ml
Work no.

B 15 / B 30 SINGLE LEAF MARINE SLIDING FIRE DOOR
WITH COUNTER WEIGHT SYSTEM

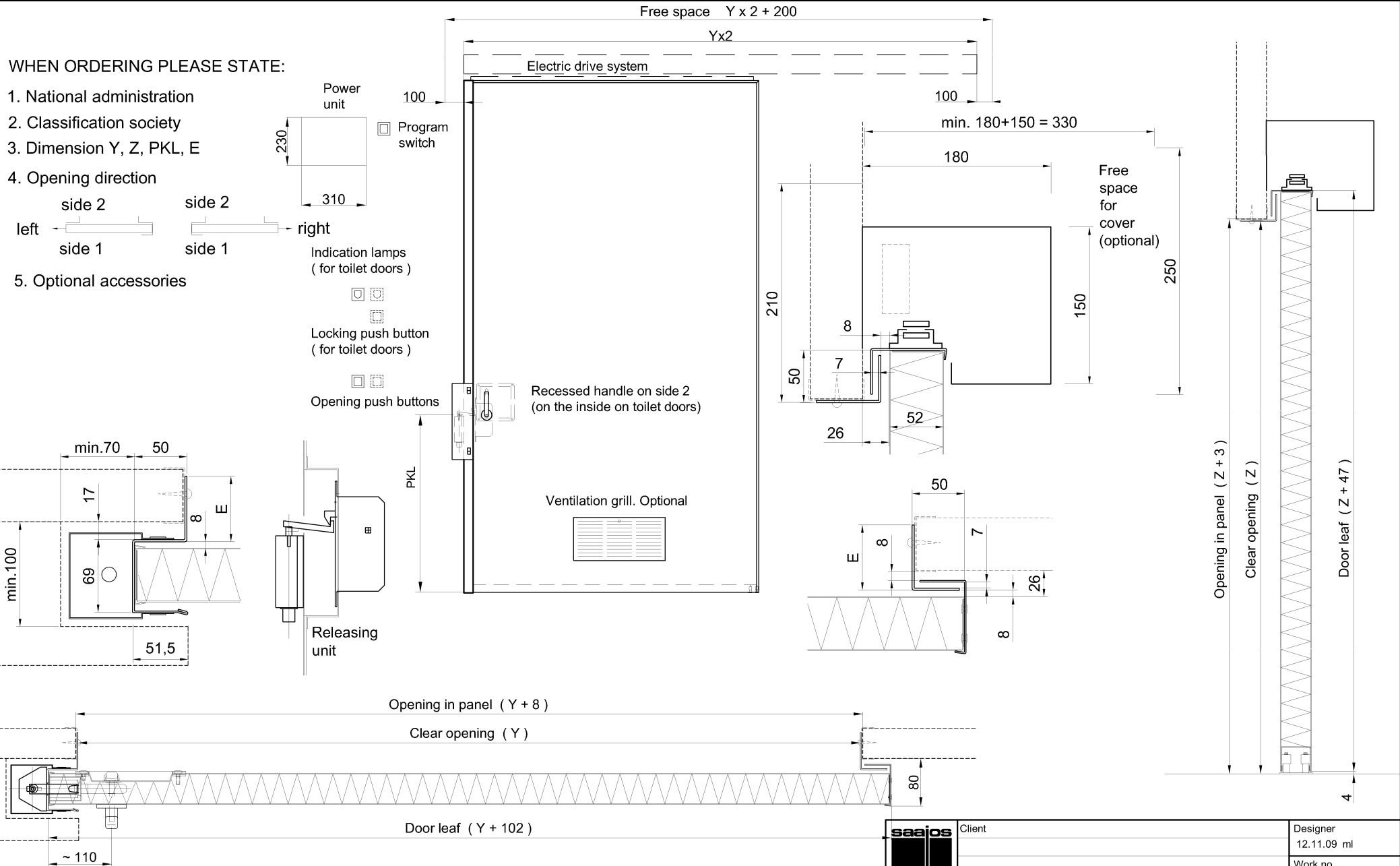
Drwg. no.
SA-22265 B

Max. clear opening size 1308 x 2396 (Y x Z)

Based on drwg. no.
SA-20971 D

WHEN ORDERING PLEASE STATE:

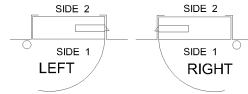
1. National administration
2. Classification society
3. Dimension Y, Z, PKL, E
4. Opening direction
 side 2 side 2
 left right
 side 1 side 1
5. Optional accessories



saaJos	Client	Designer
		12.11.09 ml
		Work no.
		Drwg. no.
B-15/ B-30 SINGLE LEAF MARINE SLIDING FIRE DOOR		SA-25177 B
WITH ELECTRIC DRIVE SYSTEM		Based on
Max. clear opening size 1308 x 2396 (Y x Z)		

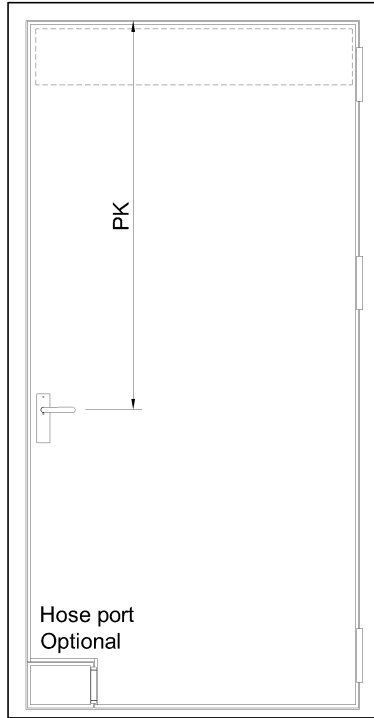
WHEN ORDERING PLEASE STATE :

1. NATIONAL ADMINISTRATION
2. CLASSIFICATION SOCIETY
3. DIMENSIONS Y, Z, T, PK
4. OPENING DIRECTION

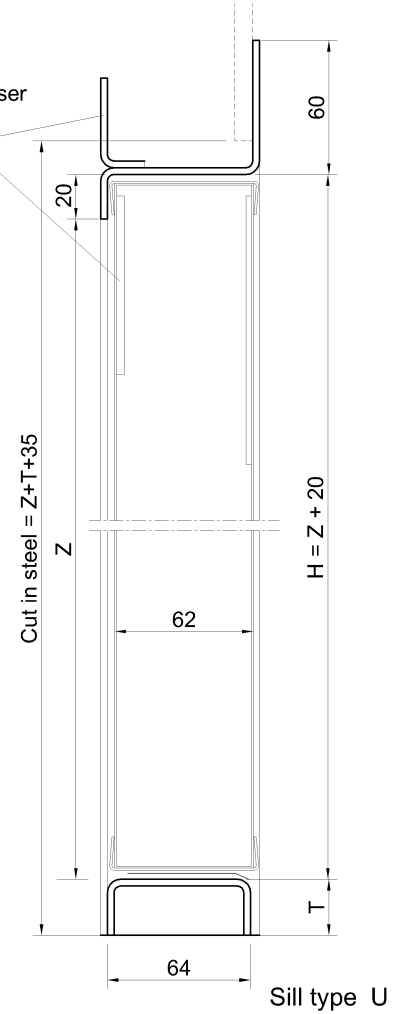


5. TYPE OF CYLINDER, HANDLE, ESCUTCHEON
6. OPTIONAL ACCESSORIES

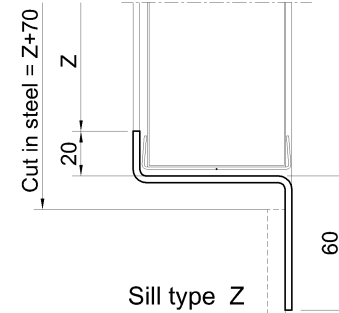
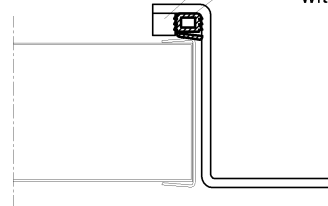
Reinforcement for closer and magnet on side 1



Reinforcement for closer on side 2, optional

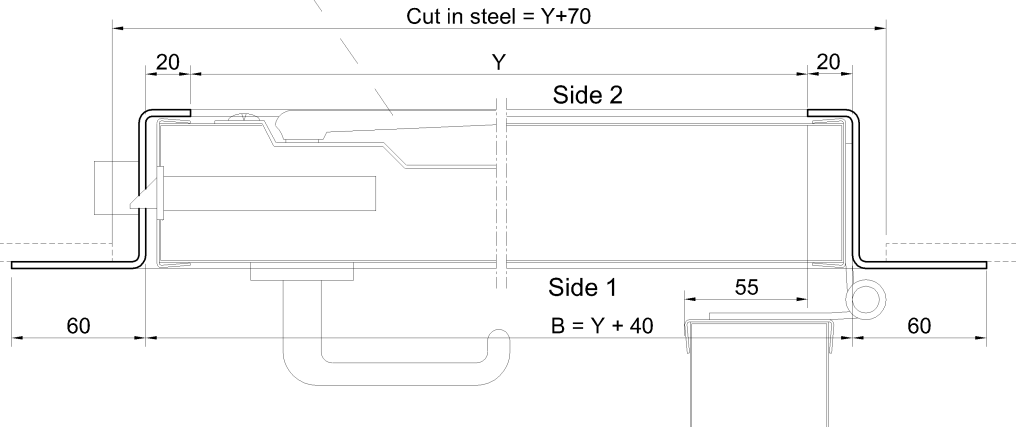



Steel profile
Rubber gasket
Optional for doors with sill type 2

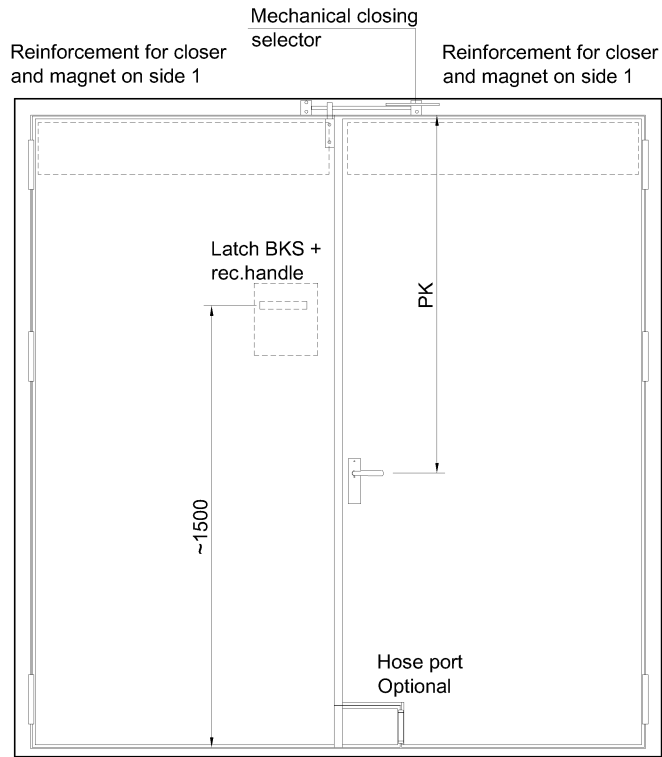


Recessed handle
Optional

Cut in steel = Y+70

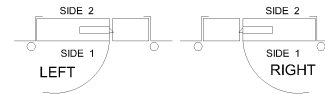


	Client	Designer 20.10.2004 ml
		Work no.
A-60 SINGLE LEAF HINGED MARINE FIRE DOOR		Drwg no. SA-22510
Max. clear opening size 1360 x 2290 (Y x Z)		Based on drwg no. SA-19753A

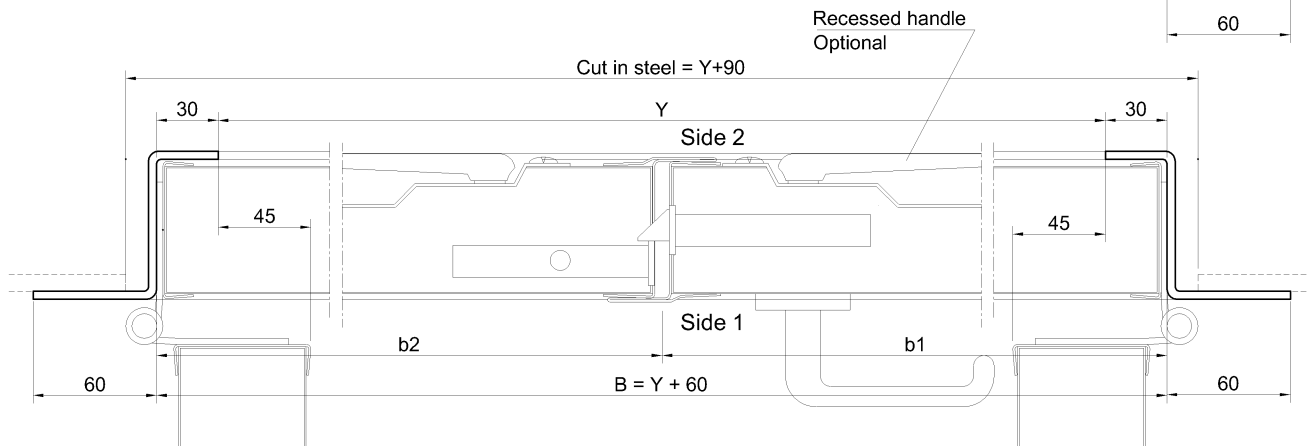
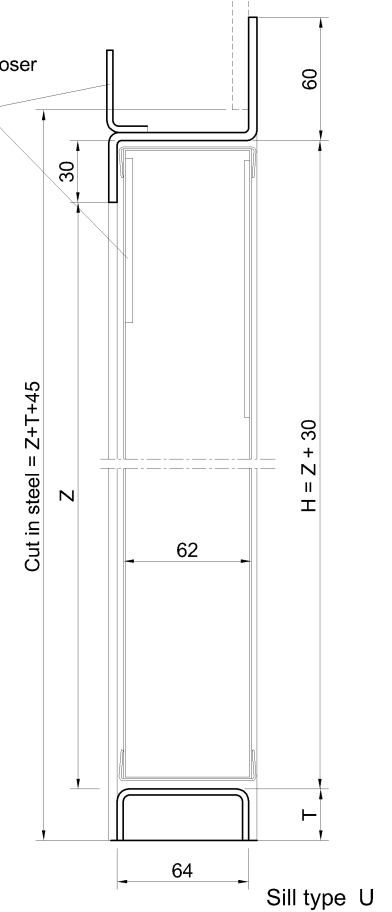
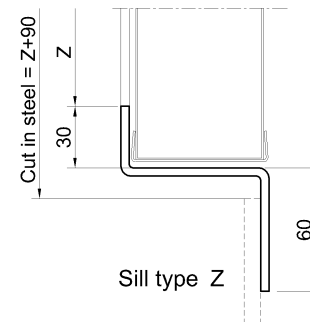
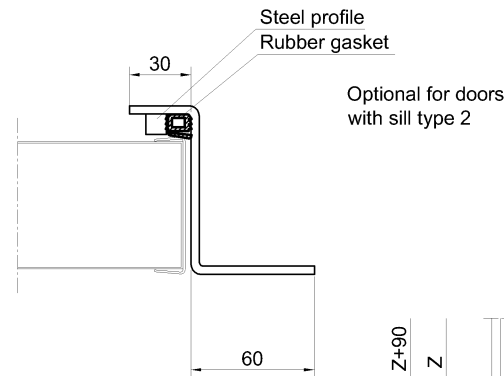


WHEN ORDERING PLEASE STATE :

1. NATIONAL ADMINISTRATION
2. CLASSIFICATION SOCIETY
3. DIMENSIONS Y, Z, T, PK
4. OPENING DIRECTION
5. TYPE OF CYLINDER, HANDLE, ESCUTCHEON
6. OPTIONAL ACCESSORIES
7. SIZES OF DOORLEAVES IF NOT SYMMETRIC (b1, b2)

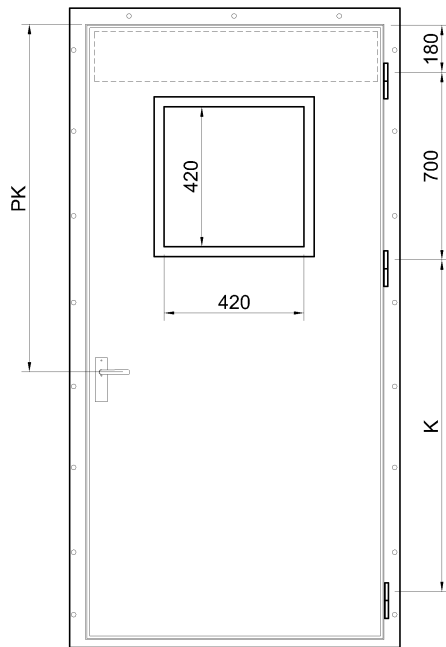


Reinforcement for closer on side 2, optional



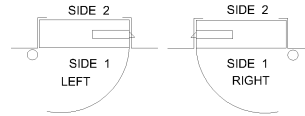
	Client	Designer 20.10.2004 ml
		Work no.
A-60 DOUBLE LEAF HINGED MARINE FIRE DOOR		Drwg no. SA-22511
Max. clear opening size 2740 x 2290 (Y x Z)		Based on drwg no. 3-15980B

Reinforcement for
closer and magnet

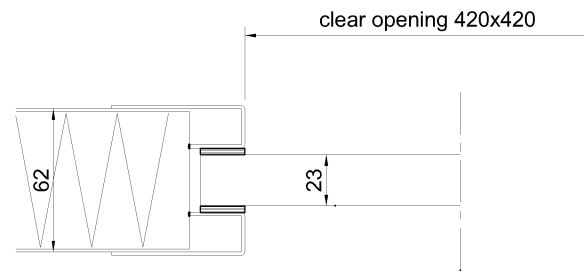


WHEN ORDERING PLEASE STATE :

1. NATIONAL ADMINISTRATION
2. CLASSIFICATION SOCIETY
3. DIMENSIONS Y, Z, T, PK
4. OPENING DIRECTION

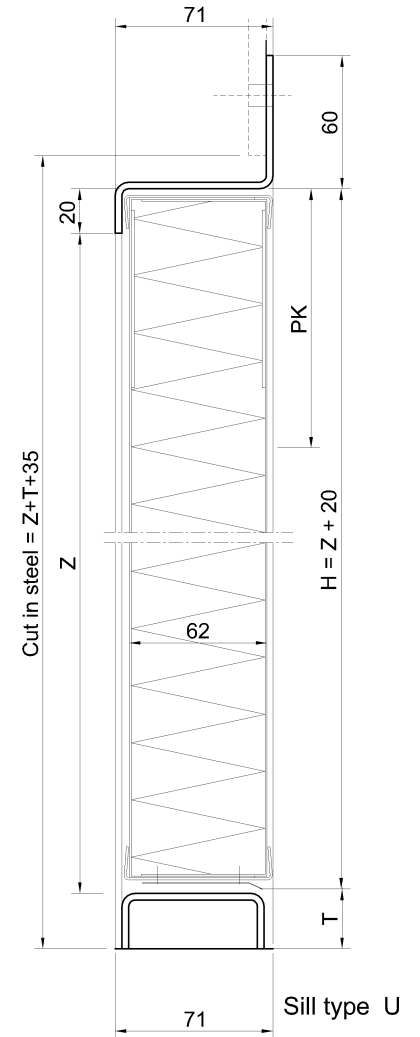
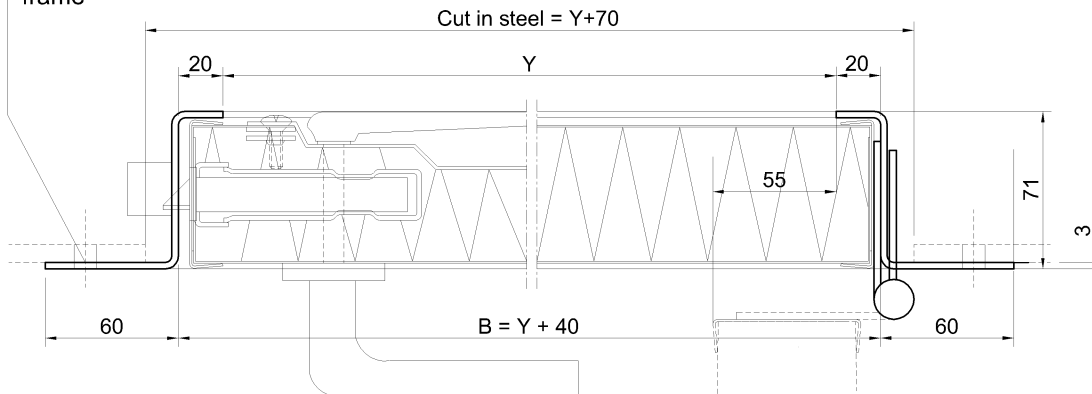


5. TYPE OF LOCK, HANDLE, ROSE / ESCUTCHEON
6. OPTIONAL ACCESSORIES




Glass, Contraflam - 23 mm (460 x 460)
Glass list AISI 304, 4N - 1,5 mm

Holes for screw fastening
frame



A) 01.09.04 ml

	Client	Designer
		06.08.04 ml
		Work no.
		Drwg no.
A-60 SINGLE LEAF HINGED MARINE FIRE DOOR		SA-22347 A
Max. clear opening size 1130 x 2140 (Y x Z)		Based on drwg no.
		SA-21755 B